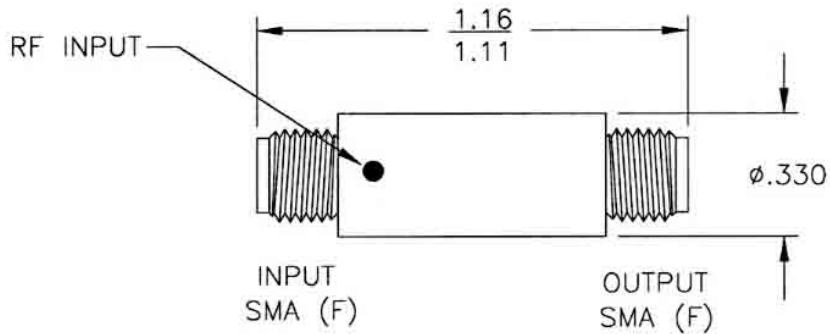
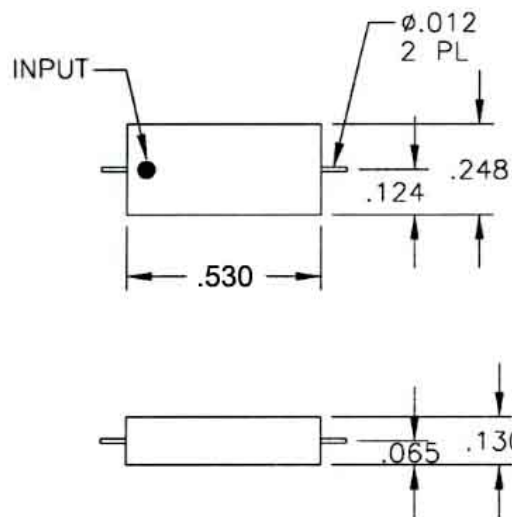


OUTLINE B



OUTLINE BF



OUTLINE L

NOTE: BLACK DOTS SHOWN INDICATE RF INPUT