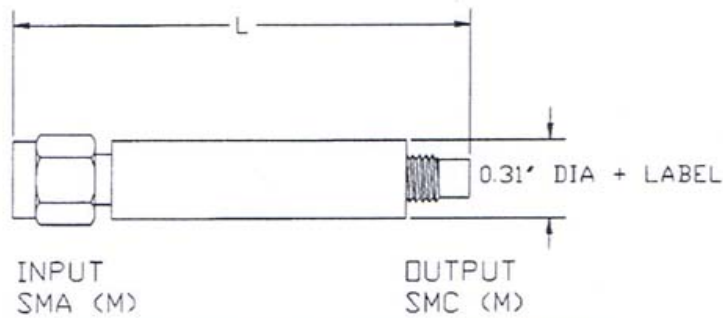
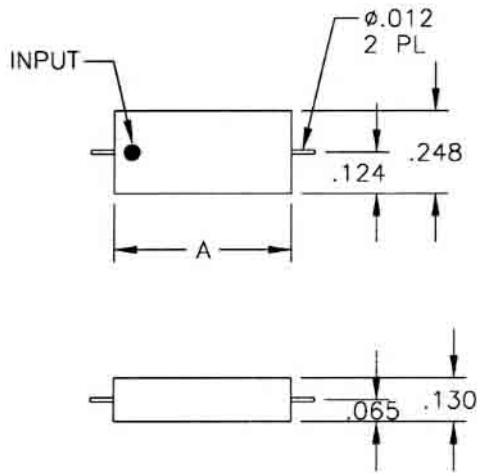


STYLE	INPUT CONNECTOR	L
A	SMA (M)	1.05" ± 0.05"
B	SMA (M)	1.16" ± 0.05"
C	SMA (M)	1.26" ± 0.05"
CI	K-TYPE (M)*	1.30" ± 0.05"

*K CONNECTOR TRADEMARK OF WILTRON CO.

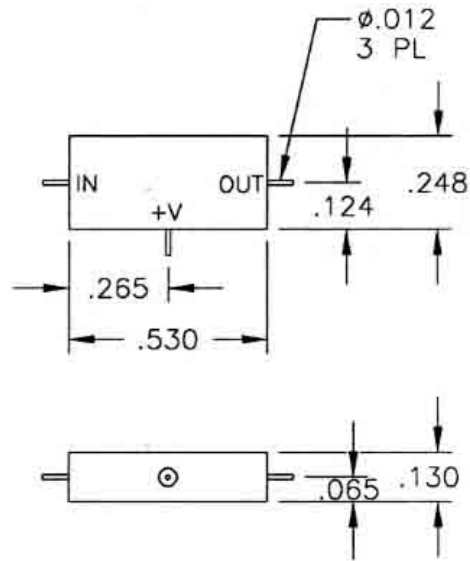


STYLE	L
AC1	1.20" ± 0.05"
AC2	1.47" ± 0.05"
AC3	1.55" ± 0.05"

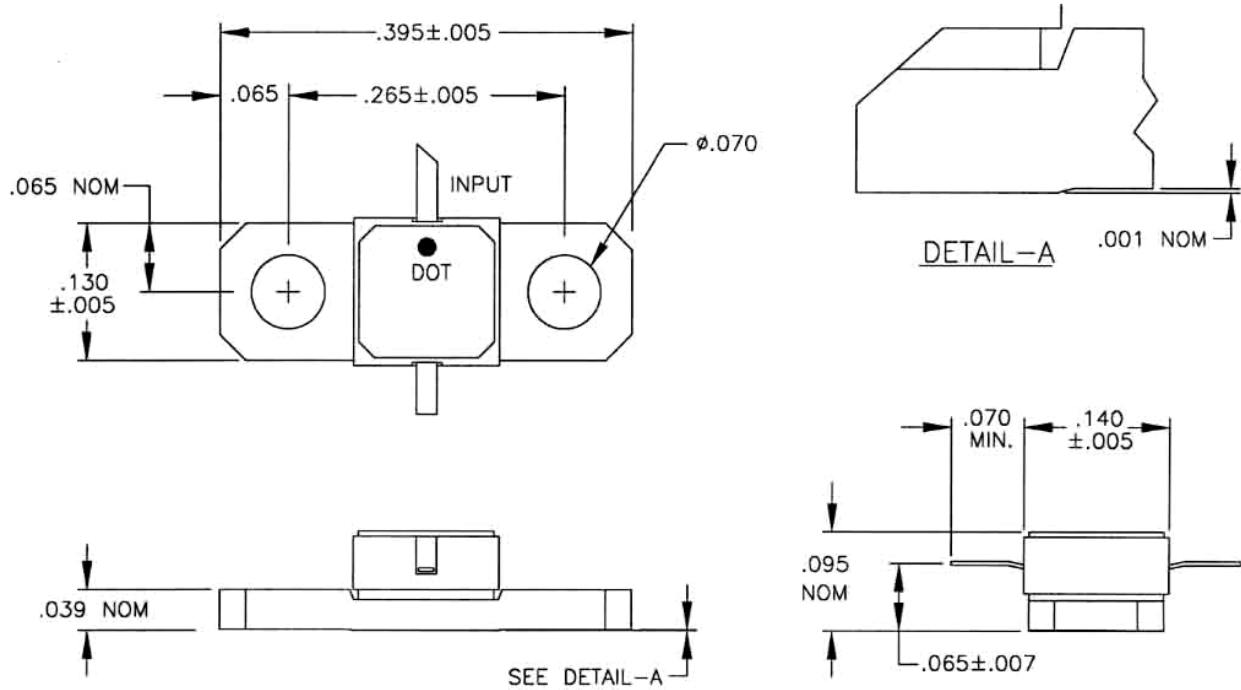


STYLE	A
K	.330
L	.530

OUTLINE K & L

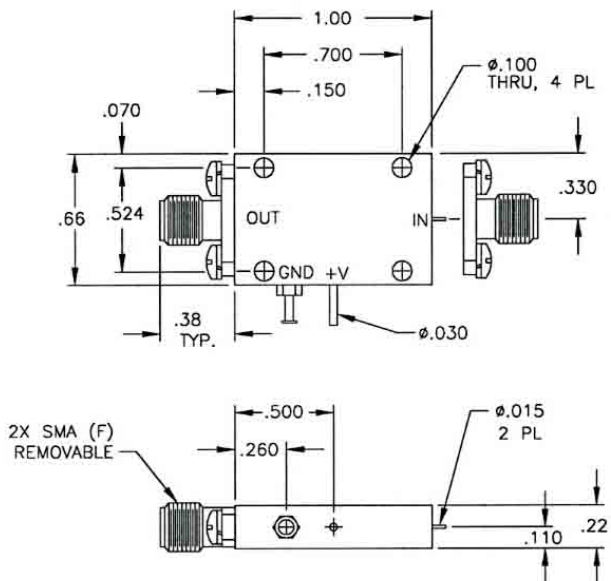


OUTLINE L3

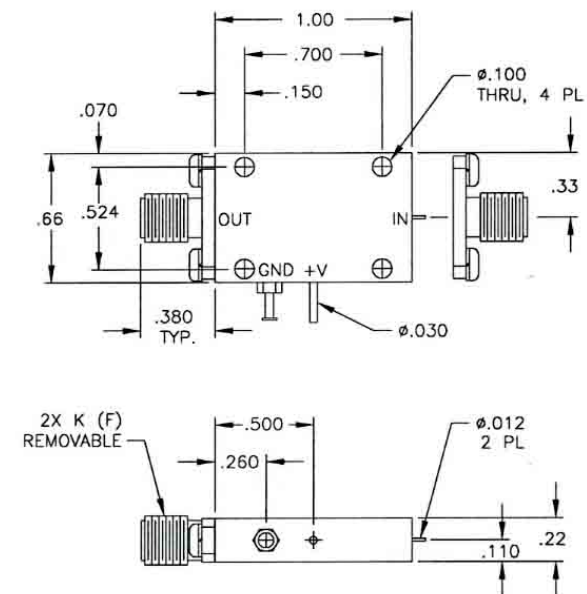


OUTLINE Z1

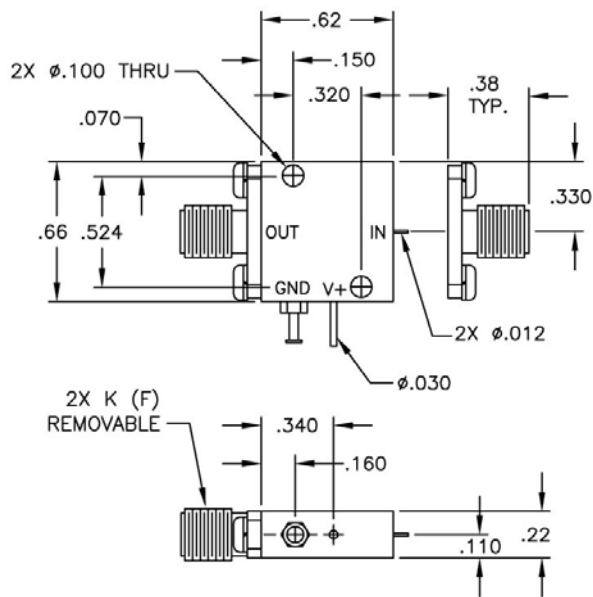
NOTE: BLACK DOTS SHOWN INDICATE RF INPUT



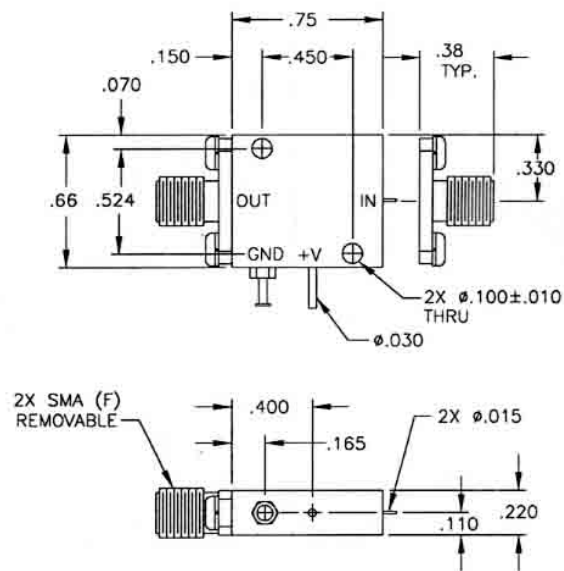
OUTLINE 2A



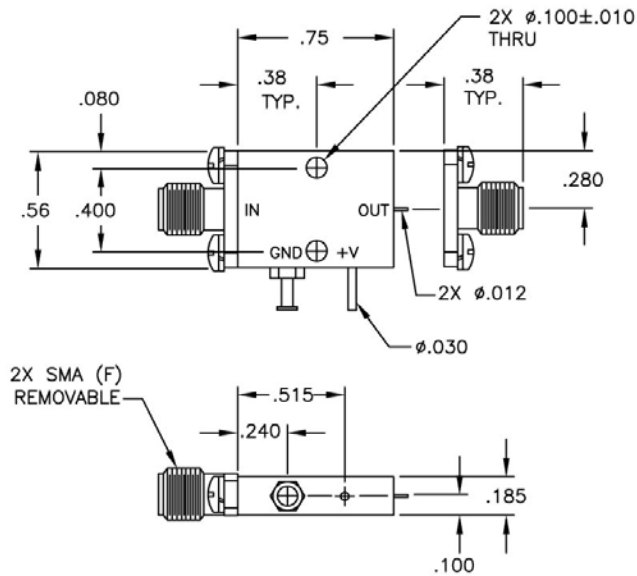
OUTLINE 2C



OUTLINE 1C



OUTLINE 1D



OUTLINE 1A