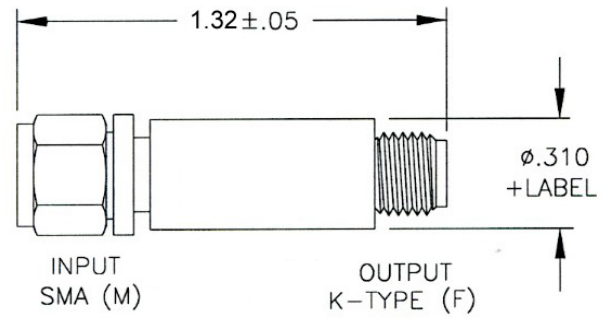
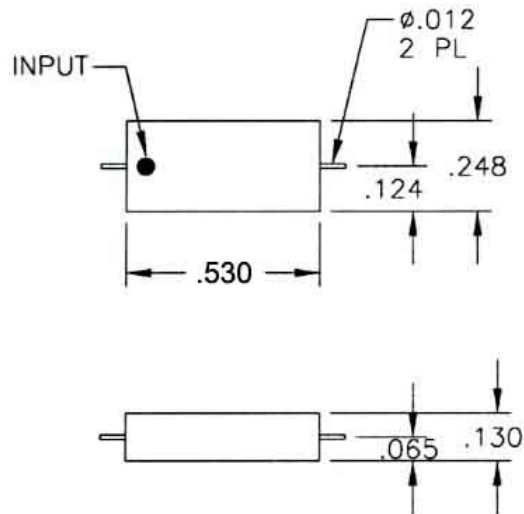


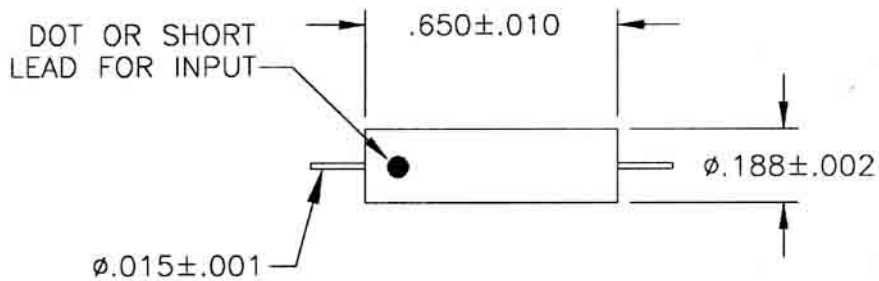
OUTLINE C



OUTLINE C2

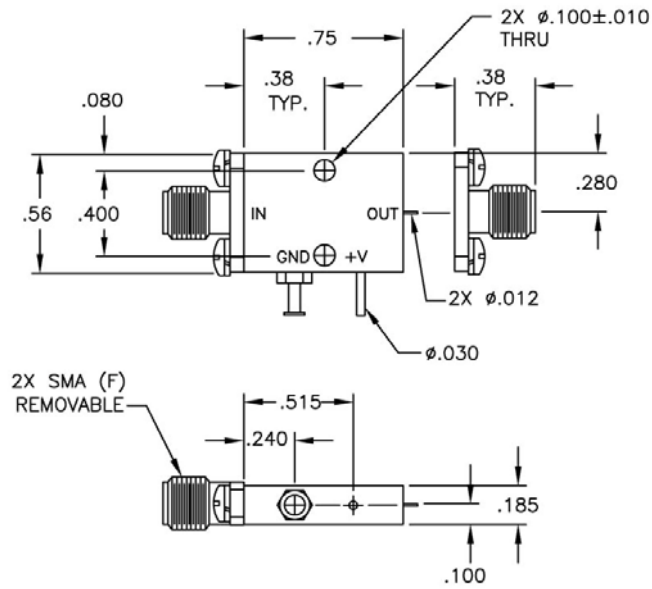


OUTLINE L

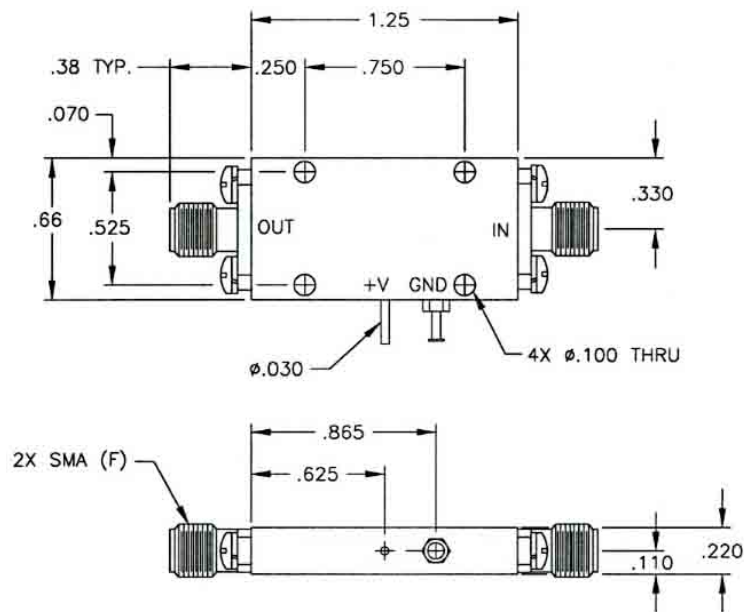


OUTLINE Y

NOTE: BLACK DOTS SHOWN INDICATE RF INPUT



OUTLINE 1A



OUTLINE 3A